



# ALU-STEEL



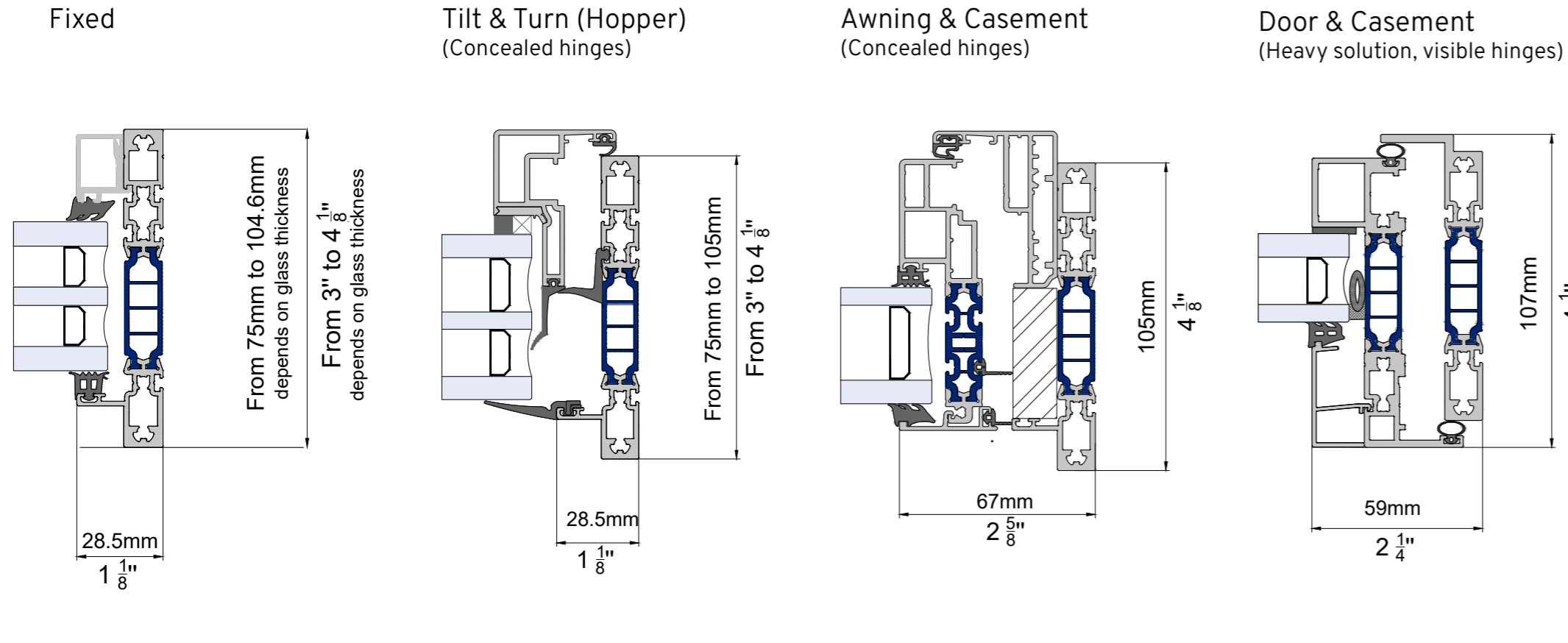


**ALU-STEEL**

The ALU-STEEL line allows you to replicate the style of historic steel windows, but using extruded aluminium.

The attention to detail, both in the windows and in the doors, is very accurate, making this line one of a kind. The possibility of inserting reinforcements allows you to reach significant dimensions. The ALU-STEEL line, with its "Industrial" style, is perfectly suited to both modern projects and the replacement of fixtures in historical buildings



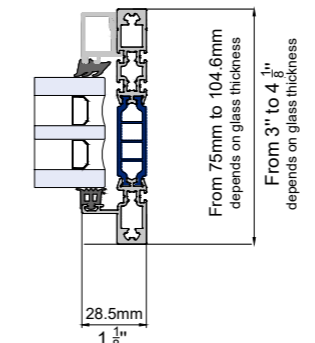
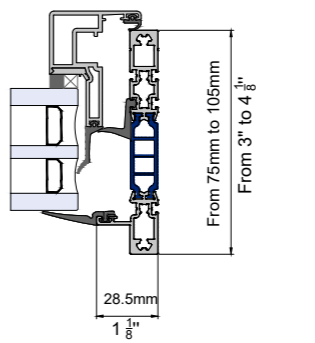
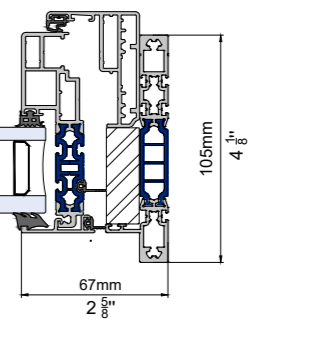
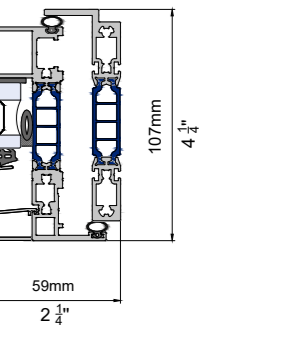


All window solutions can be double or triple glazed

## Operable size details

Defining the exact maximum dimensions for Leonardo Alu-Steel windows can be a challenging task. The size of your windows depends only on the width-to-height ratio and the number of mullions.

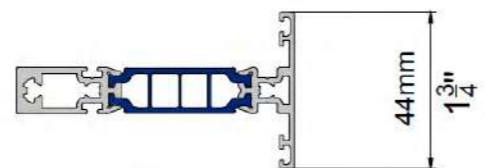
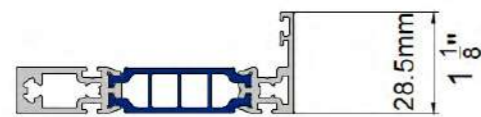
Below we present the critical dimensions of window sashes. We trust that this information will be invaluable during the design phase.

|             | Fixed  | Tilt & Turn Hopper<br>Concealed hinges   | Awning & Casement<br>Concealed hinges  | Door & Casement<br>Sidehung<br>Heavy solution Visible hinges                         |
|-------------|--|--|--|--|
|             |  |  |  |  |
| Max weight  | 500 kg / 1100 lb   | 150 kg / 330 lb  | 180 kg / 400 lb  | 136 kg / 300 lb  |
| Max area    | 15 m <sup>2</sup> / 160 ft <sup>2</sup>  | 3 m <sup>2</sup> / 32 ft <sup>2</sup>  | 3 m <sup>2</sup> / 32 ft <sup>2</sup>  | 3 m <sup>2</sup> / 32 ft <sup>2</sup>  |
| Min. width  | 20 cm / 8"   | 38 cm / 1' 3"  | 43 cm / 1' 5"  | 60 cm / 1' 12"   |
| Max. width  | 590 cm / 19' 4"  | 172 cm / 5' 8"   | 160 cm / 5' 3"   | 150 cm / 4' 11"  |
| Min. height | 20 cm / 8"   | 46 cm / 1' 6"  | 48 cm / 1' 7"  | 60 cm / 1' 12"   |
| Max. height | 590 cm / 19' 4"  | 280 cm / 9' 2"   | 250 cm / 8' 2"   | 305 cm / 10"   |

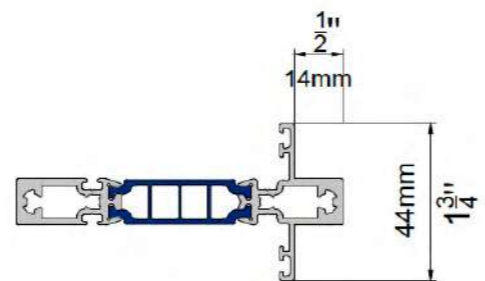
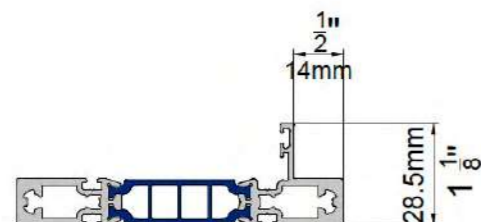
# Profiles

All profiles can be manufactured with different "nose" profiles

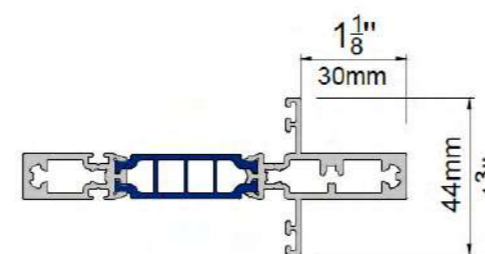
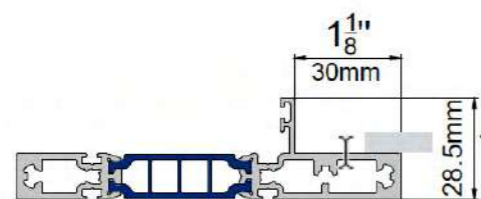
**FLAT**



**STANDARD**



**LARGE NOSE**



**EXTRA LARGE NOSE**

